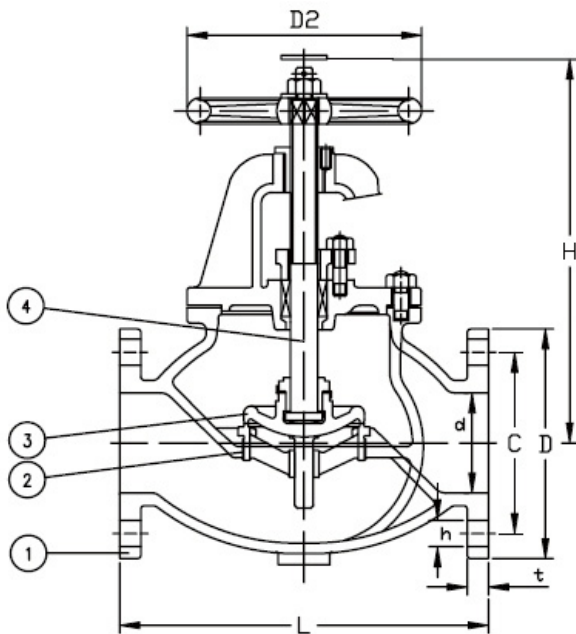




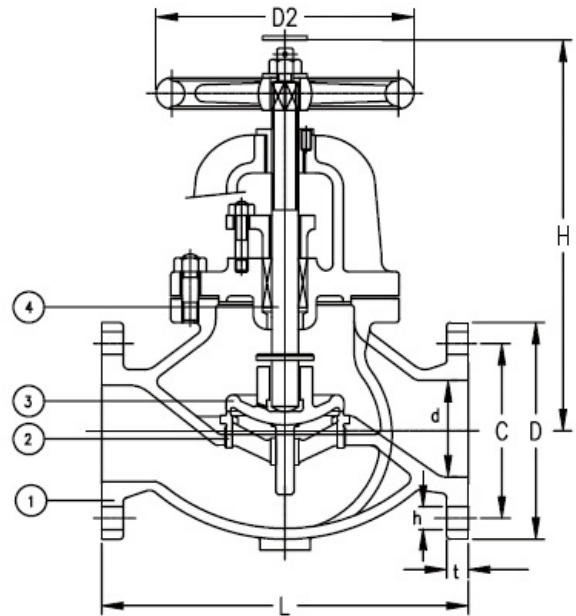
MARINE CAST IRON 16K GLOBE VALVE - JIS F7309

MARINE CAST IRON 16K GLOBE VALVE (SDNR) - JIS F7377

Manufactured in accordance to JIS F7400
Flanges as per JIS B2220 - 16K



<JIS F7309>



<JIS F7377>

No.	Component	Material
1	Body	Cast Iron
2	Seat	Bronze
3	Disc	Bronze
4	Stem	Brass

Nominal Diameter	Test Pressure MPa [kgf/cm ²]	
	Body	Seat
50 to 200	3.24 [33]	2.38 [24.2]

Size	F7309									F7377								
	L	D	C	No.	h	t	H	D2	Kg	L	D	C	No.	h	t	H	D2	Kg
50A	220	155	120	8	19	20	285	160	19.6	220	155	120	8	19	20	285	160	19.6
65A	270	175	140	8	19	22	310	200	28.3	270	175	140	8	19	22	305	200	28.2
80A	300	200	160	8	23	24	340	224	40.4	300	200	160	8	23	24	335	224	40.5
100A	350	225	185	8	23	26	385	250	56.9	350	225	185	8	23	26	375	250	56.9
125A	430	270	225	8	25	26	455	315	89.5	430	270	225	8	25	26	440	315	89.5
150A	500	305	260	12	25	28	510	355	123	500	305	260	12	25	28	500	355	123
200A	570	350	305	12	25	30	630	450	188	570	350	305	12	25	30	630	450	188